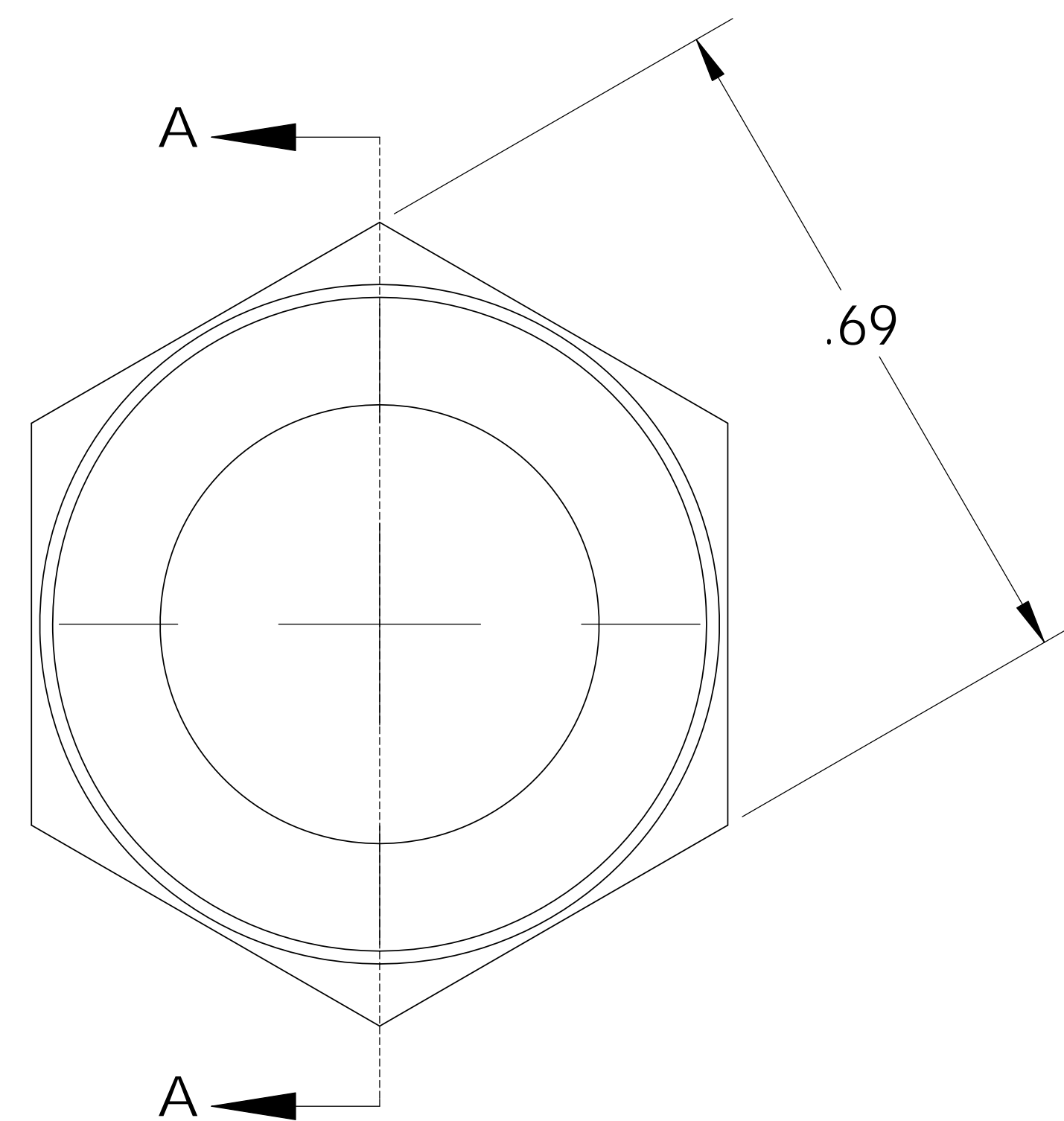
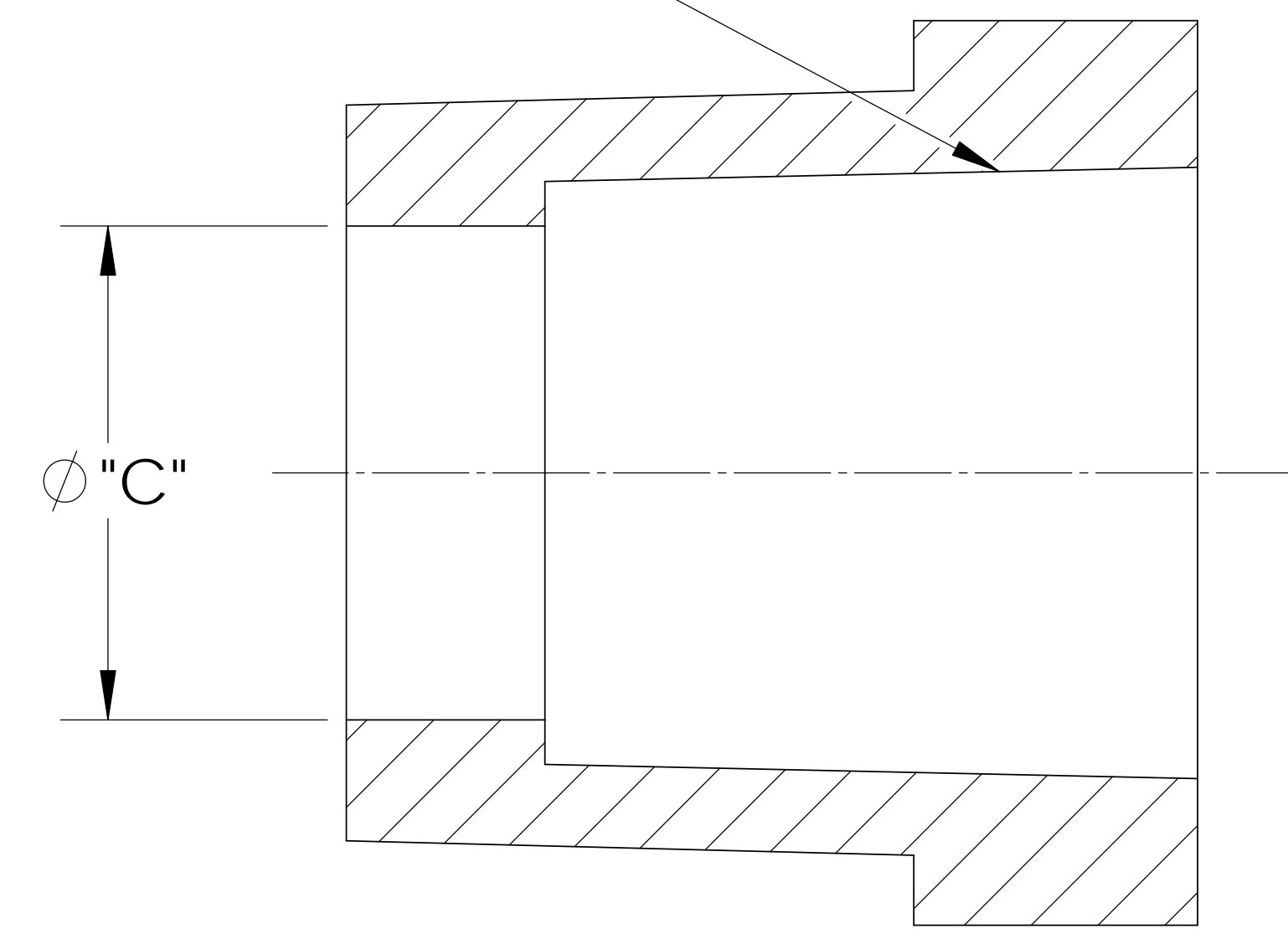


MALE 3/8"-18 NPT



FEMALE 1/4"-18 NPT



SECTION A-A

NOTES:

- 1) POLYPROPYLENE HAS COLOR OPTIONS:  
 BLACK = TRB3814/PPB  
 NATURAL = TRB3814/PPN

**PROPRIETARY AND CONFIDENTIAL**  
 THE INFORMATION CONTAINED IN THIS DRAWING IS THE SOLE PROPERTY OF THOGUS PRODUCTS COMPANY. ANY REPRODUCTION IN PART OR AS A WHOLE WITHOUT THE WRITTEN PERMISSION OF THOGUS PRODUCTS COMPANY IS PROHIBITED.

CATALOG NO.	DESCRIPTION	MATERIAL	DIM "A"	DIM "B"	DIM "C"
TRB3814/PP	3/8" NPT X 1/4" NPT PP	POLYPROPYLENE	.740	.245	.430
TRB3814/N	3/8" NPT X 1/4" NPT N	NYLON	.750	.250	.435

REV	WRO#	DESCRIPTION	HISTORY
C	95.00156	CONVERTED TO 3D FORMAT	

UNLESS OTHERWISE SPECIFIED:		NAME	DATE
DIMENSIONS ARE IN INCHES		JRM	05/31/11
TOLERANCES:		KDJ	05/3111
ANGULAR: ±0.5°			
X.X = ± 0.1			
X.XX = ± 0.05			
X.XXX = ± 0.015			
REMOVE ALL SHARP EDGES AND BURRS			
BLEND ALL RADII TO 0.01IN			
INTERPRET GEOMETRIC TOLERANCING PER: ANSI Y 14.5 1994			
MATERIAL:			
PP, N			
FINISH:			
NA			
THIRD ANGLE PROJECTION:			

DRAWN		JRM	05/31/11
CHECKED		KDJ	05/3111
ENG APPR.			XX/XX/XX
MFG APPR.			XX/XX/XX
Q.A.			XX/XX/XX
COMMENTS:			

		33490 PIN OAK, AVON LAKE, OH 44012	
TITLE:			
3/8" NPT MALE X 1/4" NPT FEMALE REDUCER BUSHING			
SIZE	DWG. NO.	REV	
<b>B</b>	TRB3814	<b>C</b>	
SCALE: 3:1	MASS:	SHEET 1 OF 1	

DO NOT SCALE DRAWING